

List of parts for SAB 128 Mk3

Relevant drawing 0661-874

Unless otherwise stated all measurements are given in mm.

Pos.	Designation	No	Part no.
	Complete compressor for male drive Complete compressor for female drive		4161-074 4161-073
10	Compressor housing Rotor housing	1	3011-021
	Bearing cover at suction end		
20	Bearing cover	1	3013-143
21	O-ring dia 304.39 x 3.53	1	1331-112
22	Cylindrical pin dia 12 x 40	2	1445-084
23	Socket cap screw M12 x 35	16	1413-387
24	Threaded plug with collar 1/2"	1	1343-027
25	Gasket dia 27/21 x 1,5	1	2356-133
	Bearing cover at discharge end		
40	Cover	1	3013-052
43	Cylinder screw M10 x 35	6	1413-373
44	Adjusting screw	2	2111-122
45	Locking screw M6 x 10	4	1413-231
	Capacity regulating cylinder		
50	Cylinder	1	3043-010
51	O-ring dia 82.14 x 3.53	1	1331-077
52	Cylinder screw M10 x 35	3	1413-373
	Cover for capacity regulating cylinder		
60	Cover	1	3013-193
61	O-ring dia 88.49 x 3.53	1	1331-079
62	Cylinder screw M8 x 25	4	1413-357
	Housing for capacity indicator		
70	Housing	1	3045-002
71	Cylinder screw M6 x 30	4	1413-343
72	Cover for capacity indicator	1	3045-003
73	Cylinder screw M6 x 50	4	1413-347
74	O-ring dia 98.02 x 3.53	1	1331-081
75.1	Glass for indicator	1	3045-006

Pos.	Designation	No.	Part no.
	Shaft seal cover		
	Shaft Seal Cover See pos. 165		
81	O-ring dia 85.32 x 3.53	1	1331-078
82	Cylinder screw M10 x 35	4	1413-373
83	Driving pin dia 4 x 6	1	1446-011
86	Hose connection 1/4"	1	1343-025
87	Plastic hose 3/16"	1	1241-190
88	Plug 1/4"	1	1345-025
89	Gasket dia. 19/14 x 1,5	1	2356-124
	Cap cover		
90	Cap cover	1	3013-050
91	O-ring dia 85.32 x 3.53	1	1331-078
92	Cylinder screw M10 x 35	4	1413-373
	Cover for slide stop		
100	Cover	1	3013-057
101	O-ring dia 66.27 x 3.53	1	1331-072
102	Cylinder screw M10 x 35	3	1413-373
103	Retainer for spindle bearings	1	3044-013
104	Cylinder screw M6 x 20	4	1413-341
105	Locking plate	1	2114-043
	Rotors and suction end bearings		
110	Set of rotors for SAB 128H, female drive	1(F)	3024-018
110	Set of rotors for SAB 128 H, male drive	1(M)	3024-109
111	Roller bearing	2	1513-016
112	Retainer pin for male rotor	1	3021-012
113	Oil splash ring	1	1437-217
114	Thrust washer	2	3021-035
115	Cylinder screw M12 x 35	2	1413-387
118	Driving pin dia 4 x 8	1	1446-019
119	Retainer pin for female rotor	1	3021-017
	Discharge end bearings, female rotor		
130	Balance piston dia. 64	1	3025-016
131	Radial roller bearing dia. 40/90 x 33	1	1513-016
132	Four point bearing dia. 40/90 x 23	1	1513-027
133	Set of shims dia. 70/90 for adjusting the clearance between the rotor and outlet port comprising:	1	2124-080
	1 off thickness 0.49 mm		
	1 - 0.52 mm		
	1 - 0.55 mm		
	1 - 0.58 mm		
	1 - 0.61 mm		
	1 - 0.64 mm		
	1 - 0.67 mm		

Pos.	Designation	No.	Part no.
	Discharge end bearings, male rotor		
135	Balance piston dia 64	1	3025-016
136	Radial roller bearing dia 45/100 x 36	1	1513-012
137	Four point bearing dia 45/100 x 25	1	1513-028
138	Set of shims dia 80/100 for adjusting the clearance between the rotor and outlet port comprising:	1	2124-081
	1 off thickness 0.49 mm		
	1 - 0.52 mm		
	1 - 0.55 mm		
	1 - 0.58 mm		
	1 - 0.61 mm		
	1 - 0.64 mm		
	1 - 0.67 mm		
	Discharge ports		
140.1	Discharge port for male rotor (Normal Vi 4.5)	1	3031-037
141.2	Discharge port for female rotor (Normal Vi 4.5)	1	3031-038
140.3	Discharge port for male rotor (AC application Vi 3.0)	1	3031-058
141.4	Discharge port for female rotor (AC application Vi 3.0)	1	3031-057
142	Socket cap screw M8 x 120	6	1413-314
143	Sealing ring dia 13/8	6	3049-006
144	Set screw M10 x 20	2	1413-252
145	Set screw M10 x 10	2	1413-253
146	Blank off screw	2	1343-027
147	Locking screw M10 x 10	2	1413-253
148	Adjusting screw M10 x 20	2	1413-032
149	Gasket	2	1331-427
	Parts for adjusting rotors		
151	Thrust cover for male rotor	1	3013-053
152	O-ring dia 91.67 x 3.53	1	1331-080
153	Thrust cover for female rotor	1	3013-054
154	O-ring dia 82.14 x 3.53	1	1331-077
	Shaft seal		
160	Shaft seal type 680.	1	1332-068
	Internal Shaft Seal		
165AA	Shaft Seal Cover HM	1	3013-336
165AB	Shaft Seal Cover HF	1	3013-337
165B	Balance Piston	1	3025-056
165C	Slide Ring incl. bushing	1	3025-062
165D	Sealing Ring	1	1332-077
165E	Inner Ring	1	3025-058
165F	O-ring 39.34 X	1	1331-137
165G	O-ring 59.99 X	1	1331-142
165I	Countersunk screw	4	1413-060

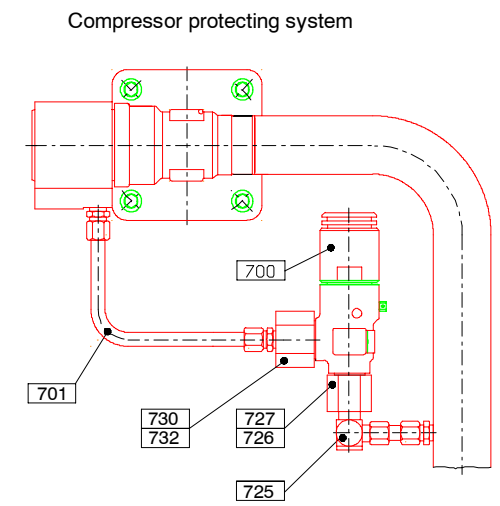
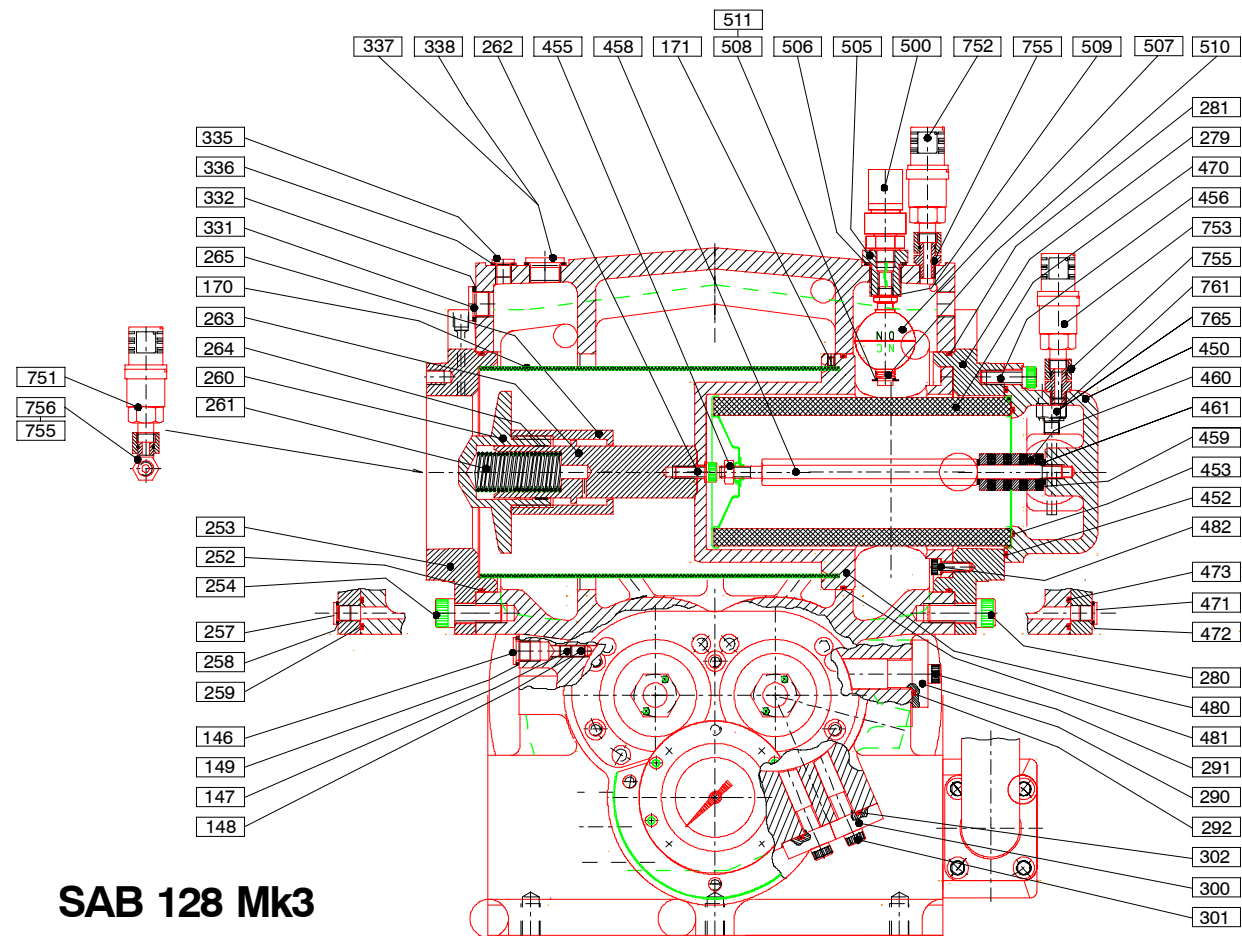
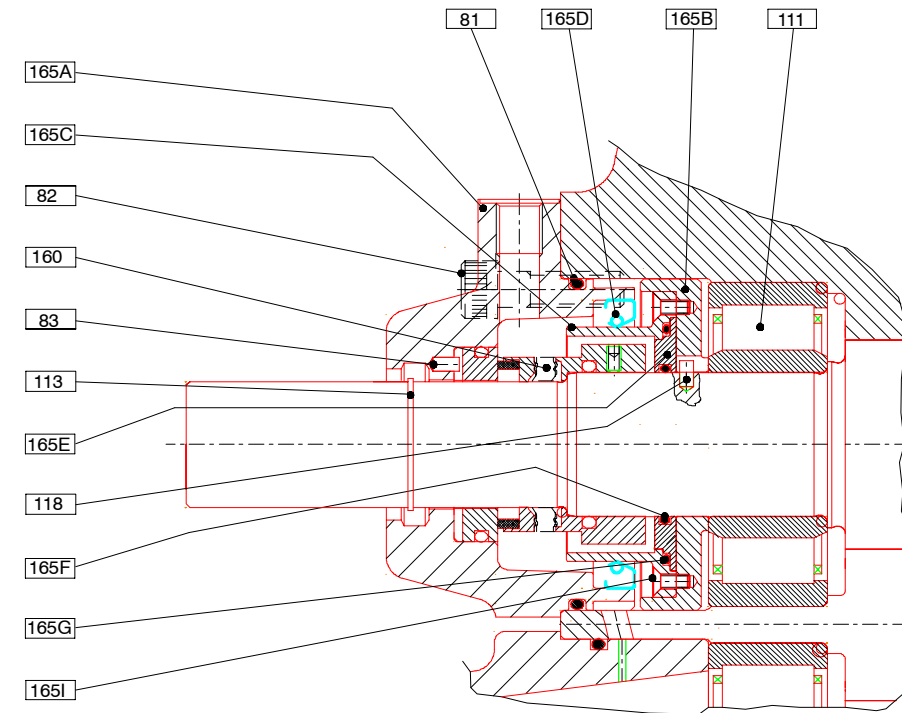
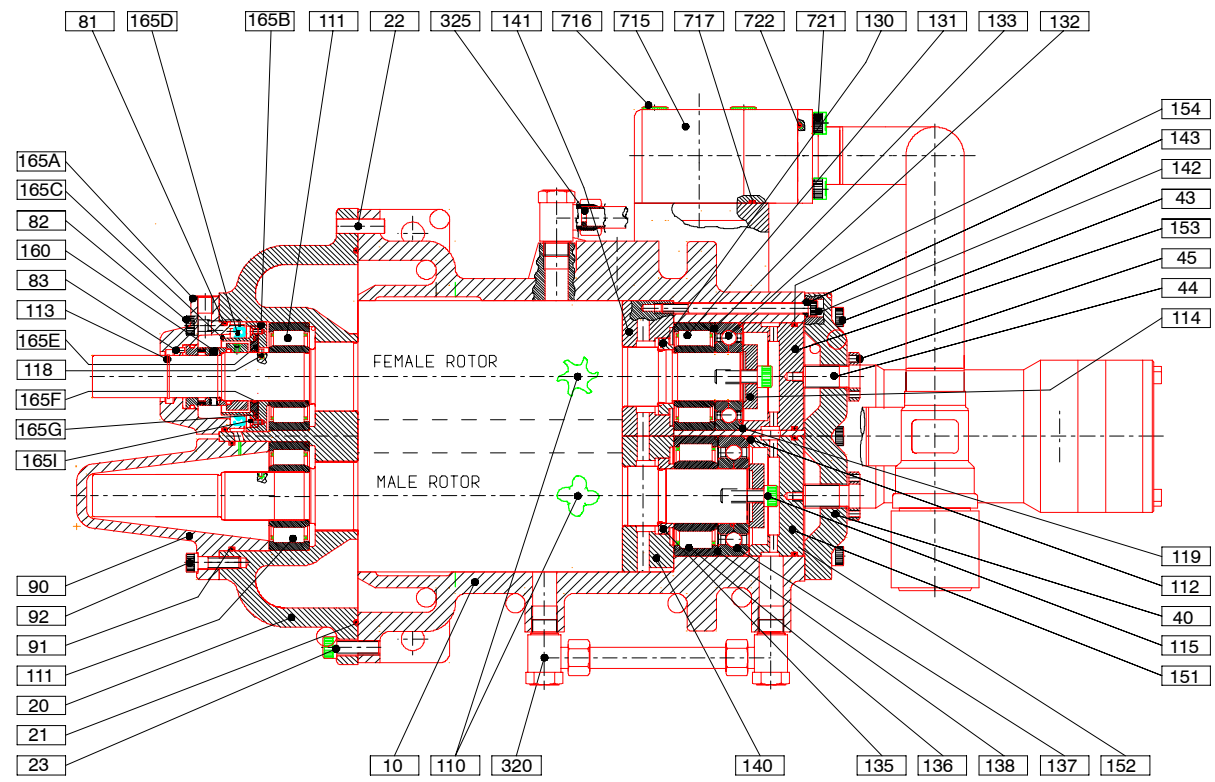
Pos.	Designation	No.	Part no.
	Suction filter		
170	Suction filter	1	3042-081
171	Set screw M6 x 10	3	1413-231
	Adjusting system for V_i-slide		
180	Spindle	1	3044-012
182	Spacer ring	1	3044-014
183	Sealing ring dia 28/22	1	1331-503
184	O-ring dia 44.04 x 3.53	1	1331-065
186	Spindle bearing	2	1512-015
	Slide stop		
190	Slide stop (included in pos. 192)		
	Man. V_i-slide		
191	Spring	1	1523-014
192	Slide control (including slide stop, pos. 190)	1	3044-071
193	Socket cap screw M10 x 25	1	1413-371
	Capacity regulating slide		
200	Slide	1	3043-175
201	Inner piston part	1	3043-075
202	Outer piston part	1	3043-076
203	O-ring dia 53.57 x 3.53	1	1331-068
204	Sealing ring dia 90/80	1	1332-118
205	Cylindrical pin dia 6 x 12 (incl. in pos no 207)	(1)	1445-075
206	Cylinder screw M6 x 25	4	1413-342
207	Piston rod	1	3043-112
208	Tape bearing	2	2132-105
209	O-ring dia 9,12x 3,53	1	1331-215
	Spindle for capacity indication		
210.1	Spindle	1	3045-057
216	Magnetic coupling	1	3045-061
217	O-ring dia. 44,12 x 2,62 (incl. in pos. 216)	(1)	1331-146
218	Hexagon head screw M4 x 16 (incl. in pos. 216)	(1)	1413-320
219	Hexagon head screw M4 x 20 (incl. in pos. 216)	(2)	1413-322
	Capacity indication		
221	Indicator dial	1	3045-001
223	Cylinder screw M4 x 10	1	1413-319
224	Supporting ring	1	2356-155
226	Locking washer DC 15/8,4	1	1437-054
227	Locking washer DC 8/4.3	1	1437-060

Pos.	Designation	No.	Part no.
Suction gas inlet			
252	O-ring dia 190.09 x 3.53	1	1331-105
253	Inlet flange	1	3013-130
254	Cylinder screw M16 x 45	8	1413-433
257	Plug 1/4"	1	1343-025
258	Gasket ring dia. 21/14 x 2,0	1	1331-428
259	O-ring dia. 20,22 x 3,53	1	1331-019
Non-return (check) valve			
260	Valve cone	1	3042-107
261	Spring	1	1523-033
262	Cylinder screw M10 x 25	1	1413-371
263	Adaptor	1	3042-079
264	Tape bearing dim 10 x 1 x 136	2	2132-099
265	Locking device for non-retun valve	1	3042-108
266	Pointed screw M6 x 6	1	1413-229
Suction side connection			
279	Flange	1	3013-130
280	Cylinder screw M16 x 45	8	1413-433
281	O-ring dia 190.09 x 3.53	1	1331-105
Economizer inlet			
290	Flange with plug	1	3013-135
291	Cylinder screw M10 x 30	2	1413-372
292	O-ring dia 29.74 x 3.53	1	1331-025
HLI Inlet			
300	Flange with plug	2	3013-136
301	Cylinder screw M10 x 30	4	1413-372
302	O-ring dia 20.22 x 3.53	2	1331-019
Connecting parts for slide rod			
310	Washer for slide rod	1	3043-108
311	Cylinder screw M10 x 55	1	1413-377
External oil piping			
320-1	Pipe set complete, female drive	1	3049-021
320-2	Pipe set complete, male drive	1	3049-031
325-1	Orifice dia. 5,0 for oil injection pipe - R717	1	3142-052
325-2	Orifice dia. 3,2 for oil injection pipe - R22 and HFC's	1	3142-054
331	Plug 1/2"	1	1343-027
332	Gasket ring dia. 28,5/21,6 x 2,3	1	1331-430
333	Plug 1/4"	1	1343-025
334	Gasket ring dia. 24/14 x 2,0	1	1331-428
335	Plug 1/4"	1	1343-025
336	Gasket ring dia. 21/14 x 2,0	1	1331-428
337	Plug 3/4"	1	1343-028
338	Gasket dia. 34,93/27,13 x 2,34	1	1331-433

Pos.	Designation	No.	Part no.
	Electrical signal transmitter for capacity slide position (optional)		
350	Turning transmitter	1	3448-004
351.1	Sight-glass for transmitter	1	3045-007
352	Screw for transmitter M3 x 8 (included in pos. 350)	4	1412-012
	Limitation of minimum capacity (optional)		
228	Spacer ring for SAB 128H	1	3045-028
229	O-ring dia. 82.14 x 3.53	1	1331-077
210.2	Spindle replaces pos. 210.1	1	3045-063
	Limitation of minimum capacity (optional)		
75.2	Glass for indicator, SAB 128/163 replaces pos. 75.1	1	3045-036
351.2	Glass for indicator for turning transmitter, SAB 128/163 replaces pos. 351.1	1	3045-037
	Oil filter parts		
450	Cover	1	3041-008
452	O-ring dia 132,94 x3,53	1	1331-093
453	O-ring dia 101,19 x 3,53	1	1331-083
455	Locking nut M10	1	1433-080
456	Cylinder screw	4	1413-387
458	Stay bolt	1	2111-129
459	Magnet	4	1517-022
460	Intermediate ring	4	3424-039
461	Elastomer ring	2	1334-012
470	Filter element	1	1517-121
471	Plug 1/4"	1	1343-025
472	Gasket ring dia. 21/14 x 2,0	1	1331-428
473	O-ring dia. 20,22 x 3,53	1	1331-019
480	Filter housing	1	3042-084
481	O-ring dia 183,74 x 3,53	1	1331-104
482	Cylinder screw M8 x 25	4	1413-357
483	Pointed screw M6 x 8	3	1413-230
	Flow switch arrangement		
500	Terminal box	1	1554-001
505	Nippel	1	2314-106
506	Dowty ring 34,9/27,1 x 2,3	1	1331-433
507	Flow switch with ball	1	1553-024
508	Washer	1	2114-046
509	Gasket ring 19/14 x 1,5	1	2356-124
510	Spring	1	2144-041
511	Circlip (part of pos. 507)	1	

Pos.	Designation	No.	Part no.
Compressor relief valve system			
700-1	Back pressure independent safety valve, BSV8, 18 bar	1	2416-202
700-2	Back pressure independent safety valve, BSV8, 20 bar	1	2416-203
700-3	Back pressure independent safety valve, BSV8, 21 bar	1	2416-204
700-4	Back pressure independent safety valve, BSV8, 22 bar	1	2416-224
700-5	Back pressure independent safety valve, BSV8, 25 bar	1	2416-205
701	Connection line, POV 40, dia. 12	1	3014-013
702	Cylinder screw M12 x 35	4	1413-387
703	O-ring dia. 82,14 x 3,53	1	1331-077
704	Main valve POV 40 including connection pipe	1	3014-011
715	Cover	1	3013-180
716	Cylinder screw M14 x 90	4	1413-417
717	O-ring dia. 69,44 x 3,53	1	1331-073
721	Cylinder screw M12 x 30	4	1413-386
722	O-ring dia. 63,09 x 3,53	1	1331-071
725	Banjo coupling	1	1349-091
726	Al gasket, dia. 24/13 x 1,5	1	2356-127
727	Reducer G 3/4"-G 3/8"	1	2312-038
730	Union nut G 1" - 3/8"	1	2469-070
732	Al gasket, dia. 30/16 x 1,5	1	2356-137
Temperature/pressure transducers			
751	Pressure transducer, suction gas (PT1)	1	1373-249
752	Pressure transducer, oil after filter (PT3)	1	1373-271
753	Pressure transducer, oil before filter (PT4)	1	1373-271
755	Coupling 10-RL	2	1349-137
756	Elbow coupling 10-RL	1	1349-154
761	Temperature transmitter, compressor oil (TT6)	1	1373-281
762	Temperature transmitter, suction gas (TT7)	1	1373-282
765	Gasket ring - DKA R 1/4	2	1349-135

0661-874

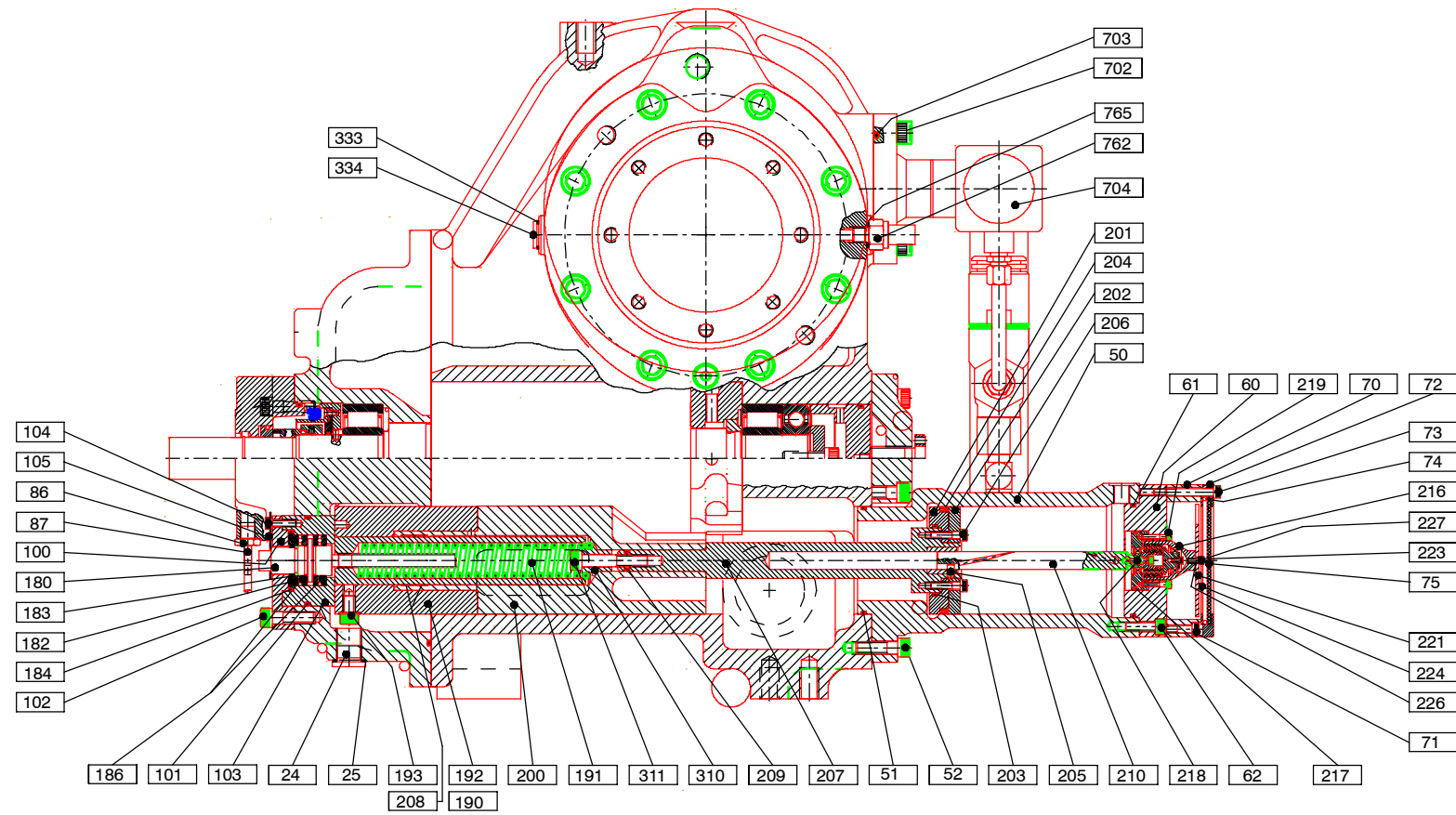


SAB 128 Mk3

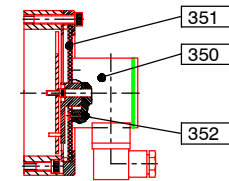
List of parts 0661-875

0661-874

4161-T02



Position transmitter



Spare parts survey for SAB 128 Mk3 unit

The following list comprises all components that can be fitted on a compressor unit.

From this list we have selected the components that are used on a particular unit and which are indicated on the **piping diagram** of this instruction manual.

The position numbers on the piping diagram are a reference to the "Pos." columns of this list.

The piping diagram is dedicated to the compressor number stated on page 1 of this instruction manual.

The components in the shaded areas are variable. This may be due to voltage, refrigerant, approved pressure etc.

On ordering spare parts it may be an advantage to receive them in sets selected for your specific compressor unit.

A list of sets can had on request from **SABROE's local representative.**

	Pos.	Designation	Part no.
Regulating & Control device		UNISAB II	
	PT1	Pressure transducer - 1 - 9 bar	1373-249
	PT2	Pressure transducer -1 - 25 bar	1373-250
	PT3	See PT2	
	PT4	See PT2	
	TT5/6/7	Temperature transducer PT100	1373-264
	GT8	Position transmitter (capacity)	3448-004
	GT9	See GT8	
		UNISAB II Frontpanel	1573-007
		1 CPU-module	1572-017
	1 Relay print	1574-014	
	1 EPROM extractor	1613-002	
	1 EEPROM extractor	1613-003	
	1 EEPROM	1571-015	
	3 Jumpers	} 1572-018	
	2 Fuses		
	1 Screw driver		

	Pos.	Designation	Part no.
Refrigerant system	20	Suction: O-ring dia 132,94 x 3,53	1331-093
		Set of gaskets for SCV80 (R717) Set of gaskets for SCV100 (R22)	3184-078 3184-079
	24 34-35 47-48	Set of gaskets for SNV 8	2453-053
		Oil separator, general:	
	30	Sealing ring dia. 42/49 x 6,5	1349-213
	30	Heating rod, 250 V Heating rod, 115 V Heating rod, 230	3181-038 3181-039 3181-040
	31	O-ring dia 52,07 x 2,62 (sight glass) Sight glass	1331-140 1226-017
	55 55	O-ring dia 329,57 x 5,33 (for cover) Oil separating element	1331-184 1517-062
		Oil return:	
	52	Nozzle valve	1364-151
	53	Sight glass	1226-014
	53	Gasket dia. 40.5/33 x 1.5	2356-144
		Discharge:	
	204	Set of gaskets for SCV65 O-ring dia 78,97 x 3,53	3184-078 1331-076
	22	Safety valves:	
	28	DN 25/40	
		Gasket, dia. 57/43 x 2 Gasket, dia. 75/61 x 2 O-ring dia. 61,60 x 2,62 (house) Conical seal for DN 25/40 Spring (for 25 Bar opening pressure)	2356-260 2356-220 1331-143 1365-077 1365-046

	Pos.	Designation	Part no.
Refrigerant system	28	DN 40/65	
		Gasket, dia. 75/61 x 2	2356-220
		Gasket, dia. 109/95 x 2	2356-222
		O-ring dia. 91,94 x 3,53	1331-080
		Conical seal for DN 43,65	1365-079
	Spring (for 25 Bar opening pressure)	1523-027	
Oil system		Flange connection, oil tube	
		Gasket, dia 57/43 x 2	2356-260
		O-ring dia 59,92 x 3,53 (compr.)	1331-071
	210	Oil by-pass (at pump)	
		Gasket, dia 102/55 x 1,5 (non-return valve)	2356-092
		O-ring dia 26,57 x 3,53 (non-return valve)	1331-023
	69	Pressure build up for capacity reg.	
		Non-return valve 18, 1 bar	1364-004
		Non-return valve 10, 02 bar	1364-008
	63	Oil pump	
	Shaft seal complete	1332-192	
63	O-ring dia 44,12 x 2,62 (cover for pump)	1331-146	
64 - 65	Set of gaskets for SVA 15	} 2453-022	
60 - 62	Set of gaskets for SVA 32		
61	Filter element 150	2464-233	
61	O-ring dia 44,04 x 3,53	1331-022	
61	O-ring dia 36,09 x 3,53	1331-018	
61	O-ring dia 13,94 x 2,62	1331-014	
46	Thermostatic three-way valve, type RT3		
	O-ring, Neoprene	1331-383	
	Thermo element, 48° C	1365-005	

	Pos.	Designation	Part no.
Capacity regulation	70	Solenoid valve block Valve housing EVM (NC) Gasket set for EVM (NC/NO)	1372-335 1336-024
		Coil 10 W 220 V 50/60 Hz 110 V 50/60 Hz 250 V 50/60 Hz	1372-330 1372-331 1372-334
	71	Solenoid valve: Valve housing EVM (NO) Gasket set for EVM	1372-425 1336-024
	72	Throttle valve Gasket set 6F	1377-210
	73	Solenoid valve: See pos. 70	
	74	Solenoid valve:	
BLI Oil cooling	80 - 84	Gasket set for SVA 15-20	2453-022
	81	Filter FA15: (When TEAT 20 is selected) Gasket set for FA15 Repair kit for FA15	1377-078 1377-250
	81	Filter FA20: (When TEAT 85 is selected) Gasket set for FA20 Repair kit for FA20	1377-079 1377-251
	82	Solenoid valve EVRA15 (when TEAT 20 is selected) Gasket set (for EVRA 15) Repair kit (for EVRA 15) Coil 10 W 220 V 50/60 Hz 110 V 50/60 Hz 250 V 50/60 Hz	1377-093 1377-099
	82	Solenoid valve EVRA20 (when TEAT 85 is selected) Gasket set (for EVRA 20) Repair kit (for EVRA 20) Coil 10 W 220 V 50/60 Hz 110 V 50/60 Hz 250 V 50/60 Hz	1377-094 1377-069

} See pos 70

} See pos 70

	Pos.	Designation	Part no.
BLI Oil cooling	83	Injection valve TEAT 20 Nozzle insert 20-5 Nozzle insert 20-8 Nozzle insert 20-12 Nozzle insert 20-20 Thermal part 35-65 deg. C Thermal part 55-95 deg. C	1371-202 1371-203 1371-204 1371-206 1371-255 1371-253
	83	Injection valve TEAT 85 Nozzle insert 85-33 Nozzle insert 85-55 Nozzle insert 85-85 Thermal part 35-65 deg. C Thermal part 55-95 deg. C	1371-207 1371-208 1371-209 1371-257 1371-250
Compr. connections		Spare parts set for coupling S952 size 225 Sheets, bolts, nuts & slices Spacer bushing Stop screw M10 x 10 Combination wrench 1/2" Box wrench 1/2"	1524-124 1526-002 1413-250 Compr. Tools
		Alignment motor - compressor Discs (motor up to IEC 280) Discs (motor from IEC 315) Tools	2221-067 2221-076 3183-104

95.10.

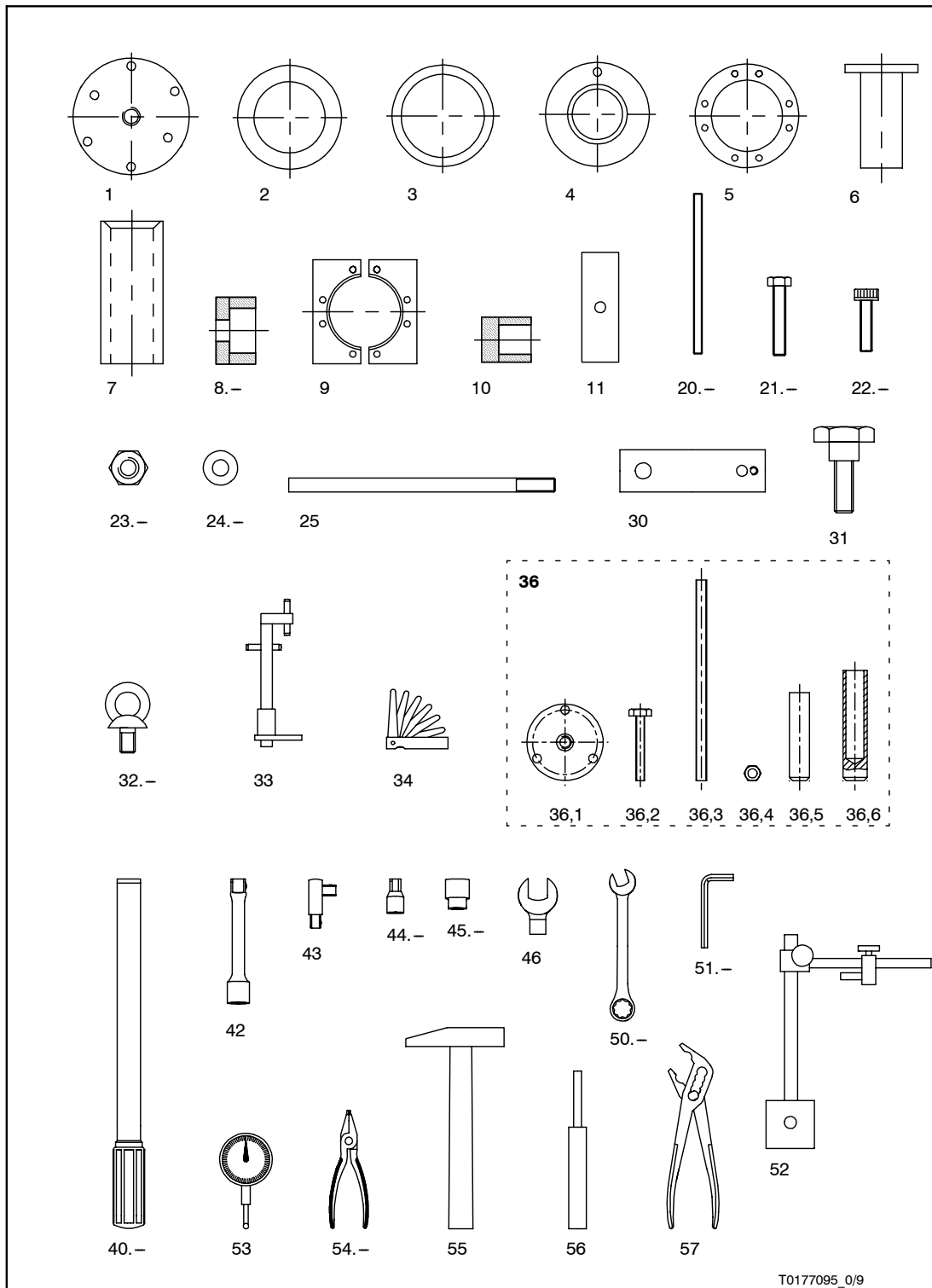
Spare part sets for SAB 128 Mk 3

Matching drawing 0661-870

Pos	Designation	No.	Part no.
	Normal spare parts set (Line A301)	1	3084-451
21	O-ring dia. 304,39 x 3,53	1	1331-112
25	Gasket dia. 27/21 x 1,5	6	2356-133
51	O-ring dia. 82,14 x 3,53	1	1331-077
61	O-ring dia. 88,49 x 3,53	1	1331-079
74	O-ring dia. 98,02 x 3,53	1	1331-081
81	O-ring dia. 85,32 x 3,53	1	1331-078
91	O-ring dia. 85,32 x 3,53	1	1331-078
101	O-ring dia. 66,27 x 3,53	1	1331-072
143	Gasket dia. 13/8 x 2 (steel)	6	3049-006
152	O-ring dia. 91,67 x 3,53	1	1331-080
154	O-ring dia. 82,14 x 3,53	1	1331-077
183	Sealing ring dia. 28/22	1	1331-503
184	O-ring dia. 44,04 x 3,53	1	1331-065
203	O-ring dia. 53,57 x 3,53	1	1331-068
204	Sealing ring dia. 90/80	1	1332-118
209	O-ring dia. 9,12 x 3,53	1	1331-215
212	Sealing ring dia. 22/17	1	1331-502
224	Gasket dia. 105/90 x 1,5	1	2356-155
252	O-ring dia. 190,09 x 3,53	1	1331-105
264	Tape bearing 10 x 1 x 136	2	2132-099
281	O-ring dia. 190,09 x 3,53	1	1331-105
292	O-ring dia. 29,74 x 3,53	1	1331-025
302	O-ring dia. 20,22 x 3,53	2	1331-019
452	O-ring dia 136,12 x 3,53	1	1331-097
453	O-ring dia 101,19 x 3,53	1	1331-083
481	O-ring dia 190,09 x 3,53	1	1331-105
506	Dowty ring dia 34,9/27,1 x 2,3	1	1331-433
509	Gasket dia 19/14 x 1,5	1	2356-124
711	O-ring dia 78,97 x 3,53	1	1331-076
765	Dowty ring 20,5/13,7 x 2,0	2	1331-428

Pos	Designation	No.	Part no.
	Certificate spare parts set (Line A302)		3084-452
	Normal spare parts set	1	3084-451
23	Socket cap screw M12 x 35	5	1413-387
52	Socket cap screw M10 x 35	3	1413-373
82	Socket cap screw M10 x 35	4	1413-373
111	Roller bearing	2	1513-016
115	Socket cap screw M12 x 35	2	1413-387
131	Radial roller bearing dia. 40/90 x 33	1	1513-016
132	Four point bearing dia 40/90 x 23	1	1513-027
133	Set of shims dia. 70/90 for adjusting the clearance between the rotor and outlet port. Comprising: 1 of thickness 0.49 1 - - 0.52 1 - - 0.55 1 - - 0.58 1 - - 0.61 1 - - 0.64 1 - - 0.67	1	2124-080
			for female rotor
136	Radial roller bearing dia. 45/100 x 36	1	1513-012
137	Four point bearing dia. 45/100 x 25	1	1513-028
138	Set of shims dia. 80/100 for adjusting the clearance between the rotor and outlet port. comprising: 1 of thickness 0.49 1 - - 0.52 1 - - 0.55 1 - - 0.58 1 - - 0.61 1 - - 0.64 1 - - 0.67	1	2124-081
			for male rotor
142	Socket cap screw M8 x 120	2	1413-314
160	Shaft seal complete, type 680	1	1332-161
186	Spindle bearing	2	1512-015
193	Socket cap screw M10 x 25	1	1413-371
210	Spindle	1	3045-015
211	Bearing	1	1511-012
213	Circlip	1	1437-206
214	Circlip	1	1437-148
254	Socket cap screw M16 x 40	3	1413-432
262	Socket cap screw M10 x 25	1	1413-371
280	Socket cap screw M16 x 40	2	1413-432
311	Cylinder screw M10 x 55	1	1413-377
712	Cylinder screw M14 x 35	2	1413-412

Tools for compressor SAB 128 Mk3



T0177095_0/9

Line no A401 = Normal set (part no. 3083-044)

Line no. A402 = Extended set (part no 3083-046)

Line no. B401 = Tools for coupling alignment (part no 3183-104)

Line no. B402 = Tools for shaft seal removal, oil pump (part no 3083-160)

Tool no.	Designation	Part no.	A401	A402	B401	B402
1	Puller for bearings	3083-060	1	1		
2	Thrust ring for the puller, female	3083-043	1	1		
3	Thrust ring for the puller, male	3083-127	1	1		
4	Tool for fitting the bearings	3083-062	1	1		
5	Ring for the puller	3083-042	1	1		
6	Tool for pressing out the rotors	3083-063	1	1		
7	Tool for fitting the bearings	3083-061	1	1		
8.1	Retaining cup for male rotor	3083-097	1	1		
8.2	Retaining cup for female rotor	3083-098	1	1		
9	Tool for dismounting the bearings	3083-041	2	2		
10	Thrust washer	3083-002	1	1		
11	Locking tool for rotor	3083-126	1	1		
20.1	Threaded pin	M10 x 160	2112-129	4	4	
20.2	Threaded pin	M12 x 275	2112-148	1	1	
21.1	Hexagon head screw	M16 x 130	1424-271	1	1	
21.2	Hexagon head screw	M10 x 130	1424-203	4	4	
22.2	Socket cap screw	M8 x 35	1413-359	1	1	
22.3	Socket cap screw	M8 x 120	1413-314	2	2	
22.4	Socket cap screw	M10 x 25	1413-371	4	4	
22.6	Socket cap screw	M12 x 35	1413-387	1	1	
22.7	Socket cap screw	M12 x 90	1413-400	1	1	
23.1	Nuts	M8	1432-063	2	2	
23.2	Nuts	M10	1432-064	4	4	
23.3	Nuts	M12	1432-065	1	1	
24.1	Washer dia. 24/13 x 2.5		1436-036	1	1	
24.2	Washer dia. 35/13 x 5		1436-140	3	3	
25	Guide pin	M16 x 300	2112-147	2	2	
30	Tool for adjusting the bearings		3083-096	1	1	
31	Special screw for adjusting the bearings		3083-095	1	1	

Tool no.	Designation	Part no.	A401	A402	B401	B402
32.1	Eye bolt M12	1427-150	1	1		
32.2	Eye bolt M16	1427-156	1	1		
33	Alignment device for coupling	3183-104			1	
34	Feeler gauge	1622-050			1	
36	Tools for shaft seal removal, oil pump Consist of:					
36,1	Puller for shaft seal, oil pump	3083-157				1
36,2	Cap screw M10 x 75	1424-201				1
36,3	Threaded pin M8 x 150	3083-156				3
36,4	Nut M8	1432-063				3
36,5	Punch dia. 18 x 80	3083-158				1
36,6	Punch dia. 22/16,5 x 100	3083-159				1
40.1	Torque wrench (Ratchet) 5 - 50 Nm 1/2"			1		
40.2	Torque wrench 40-200 Nm (14 x 18)			1		
42	Extension 1/2"			1		
43	Converter for torque wrench(14x18) - 1/2"			1		
44.1	Hexagon bit adapter 1/2" - 4mm			1		
44.2	Hexagon bit adapter 1/2" - 5mm			1		
44.3	Hexagon bit adapter 1/2" - 6mm			1		
44.4	Hexagon bit adapter 1/2" - 8mm			1		
44.5	Hexagon bit adapter 1/2" - 10mm			1		
44.6	Hexagon bit adapter 1/2" - 14mm			1		
45	Box spanner insert 1/2" - 19mm			1		
45.1	Box spanner insert 1/2" - 24mm			1		
45.2	Box spanner insert 1/2" - 27mm			1		
45.3	Box spanner insert 1/2" - 36mm			1		
45.4	Box spanner insert 1/2" - 1/2"			1		
46	Open end spanner (14x18) - 19mm			1		
50.1	Combination spanner 17mm	1612-276		1		
50.2	Combination spanner 19mm	1612-277		1		
50.3	Combination spanner 1/2"					

Tool no.	Designation	Part no.	A401	A402	B401	B402
51.1	Allen key for socket cap screw 3mm	1612-395		1		
51.2	Allen key for socket cap screw 5mm	1612-397		1		
51.3	Allen key for socket cap screw 6mm	1612-398		1		
51.4	Allen key for socket cap screw 8mm	1612-399		1		
51.5	Allen key for socket cap screw 10mm	1612-401		1		
51.6	Allen key for socket cap screw 14mm	1612-400		1		
52	Magnetic Fixture for dial indicator			1		
53	Dial indicator			1		
54.1	Retaining ring pliers			1		
54.2	Retaining ring pliers			1		
55.1	Hammer	1612-012		1		
55.2	Plastic hammer	1612-042		1		
56	Steel punch 8 mm			1		
57	Pliers for driving pin	1612-190		1		